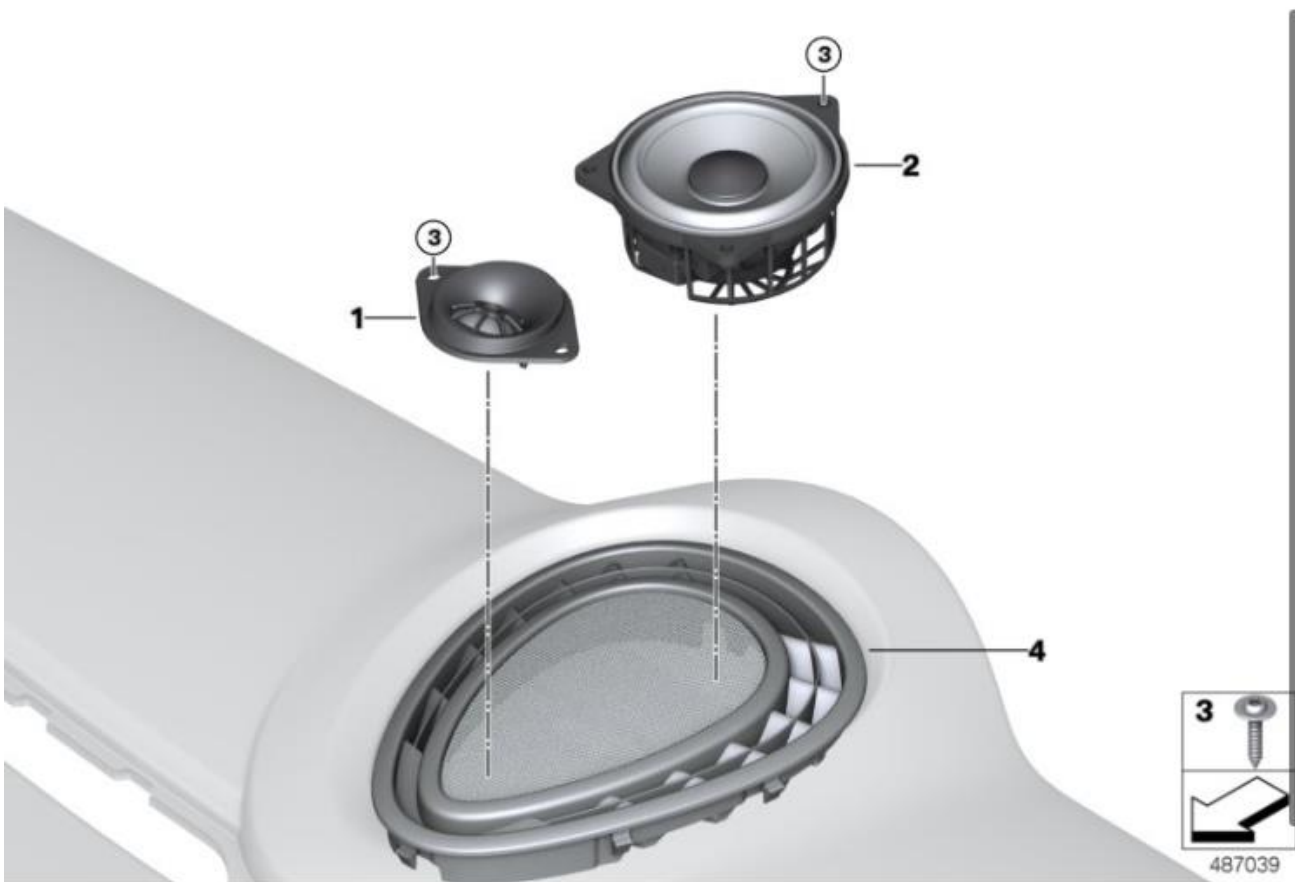


HOW TO INSTALL THE CP-06MINI RETROFIT CARPLAY AND ANDROID AUTO KIT IN THE MINI;

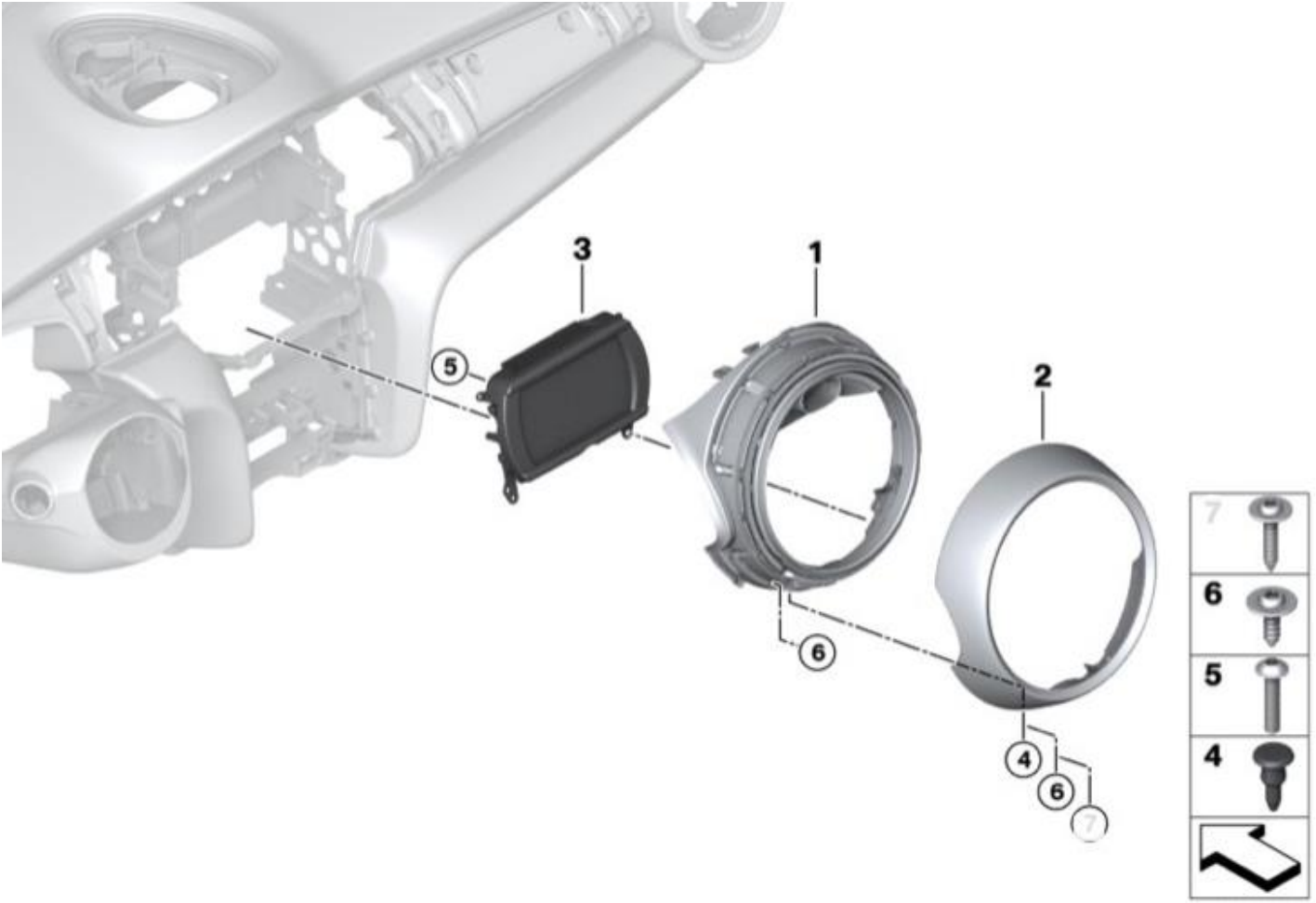
The CP-06mini needs to be plugged into the rear of the head unit and also into the central information display. To do this you need to remove the head unit, which is performed as follows;

1. Remove speaker cover on top of dash board;



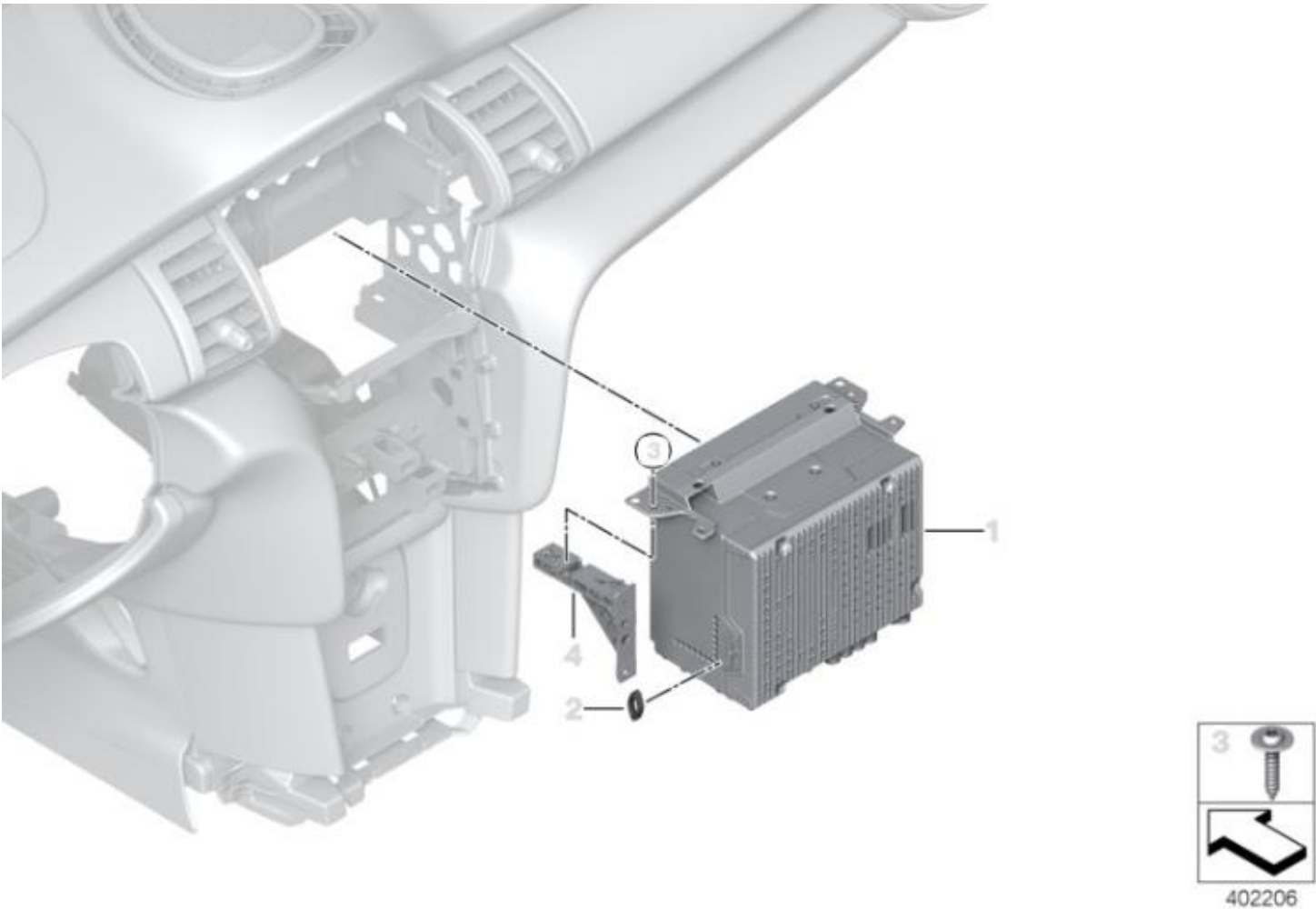
There is a screw facing upwards that will be visible once the cover is removed. Remove the screw which is securing the display assembly in place.

2. Remove display bezel and display assembly



Twist the bezel and remove the screws, once all screws are removed the display assembly will pull towards you.

3. Remove head unit



The head unit can then be removed.

4. Install CP-06mini

Once the head unit is removed you can then connect the CP-06mini using the plug and play wiring loom to the rear of the head unit and to the LVDS connector on the display. Instructions are provided showing all connections.